

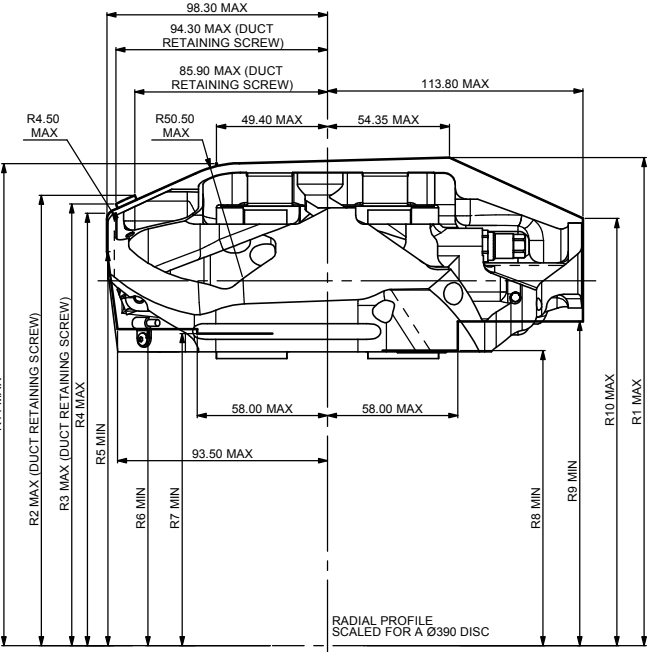
B1 INSTALLATION DRAWING

IF THIS DOCUMENT IS PRINTED IN HARDCOPY, IT IS FOR INFORMATION USE ONLY AND THEREFORE IS NOT SUBJECT TO UPDATING CONTROLS. ALWAYS REFER TO SOLIDWORKS VIEWER FOR LATEST ISSUE



THIS DRAWING IS CONFIDENTIAL AND IS SUPPLIED ON THE EXPRESS CONDITION THAT IT SHALL NOT BE LOANED OR COPIED OR DISCLOSED TO ANY OTHER PERSON OR USED FOR ANY OTHER PURPOSE WITHOUT THE WRITTEN CONSENT OF AP RACING LTD.

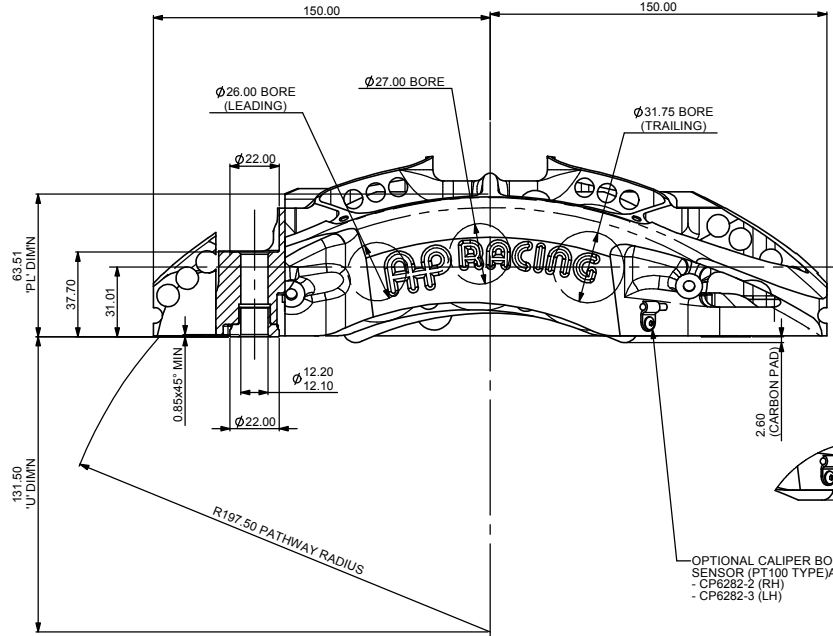
AP Racing
Wheler Road
Coventry
CV3 4LB
Tel: +44 024 7683 9595
Fax: +44 024 7683 9559
e-mail: sales@apracing.co.uk
Web site: HTTP://www.apracing.com



RADIAL PROFILE SCALED FOR A Ø390 DISC

RADIAL PROFILE DATA

DISC	R1	R2	R3	R4	R5	R6	R7	R8	R9	R10	R11	EFF RAD
Ø390	217.40	200.7	196.8	192.7	175.5	141	139.1	131.5	144.5	190.3	214.7	168.4
Ø380	212.40	195.7	191.8	187.7	170.5	136.3	135	126.5	139.5	185.3	209.7	163.4
Ø355	199.9	183.2	179.3	175.2	158.0	123.8	122.5	114.0	127.0	172.8	197.2	150.9



GENERAL DESCRIPTION
THIS IS A 6 PISTON DIFFERENTIAL BORE CALIPER TO SUIT UP TO Ø390x35.6 IRON DISC & Ø380 x 37 CARBON DISC.

APPLICATION
FIA - LMP 1 / LMP 2 / GT1 / SUPER GT (JAPAN)

TECHNICAL INFORMATION
TOTAL PISTON AREA: 37.89cm²
PISTON MATERIAL: TITANIUM
BODY MATERIAL: ALUMINIUM ALLOY
MOUNTING BOSS MATERIAL: STAINLESS STEEL
ASSEMBLY WEIGHT (LESS PADS): 2.63kg

INSTALLATION INFORMATION
DISC & CALIPER MOUNTING TOLERANCES TO BE SUCH THAT THE DISC IS CENTRAL TO THE CALIPER TO WITHIN ±0.5mm.
CALIPER TO BE MOUNTED WITHIN ±15° FROM VERTICAL.
DISC DIAMETRAL CLEARANCE SHOULD BE 2.5mm NOM. FROM DISC OD TO PATHWAY.
BLEED SCREW MAX TIGHTENING TORQUE 17Nm
MAX NEW DISC & PAD STACK = 95.6MM
MINIMUM WORN DISC & PAD STACK = 49MM

KEY DIMENSIONS
"L" TOP OF PAD MATERIAL TO MOUNTING BOSS FACE WITH PAD SITTING DOWN ON LEDGE.
"U" WHEEL CENTRE LINE TO CALIPER MOUNTING BOSS FACE (DISC Ø25 DIMENSION "U")
EFFECTIVE RADIUS: DISTANCE FROM WHEEL CENTRE LINE TO NOMINAL PISTON CENTRE LINE.

AP RACING TECHNICAL SECTION WILL BE PLEASED TO ADVISE ON THE MOST SUITABLE EQUIPMENT FOR ANY PARTICULAR APPLICATION.

CALIPER PART NUMBERS
CP6161-2S7MP - RIGHT HAND TRAILING (BEHIND AXLE)
CP6161-3S7MP - LEFT HAND TRAILING (BEHIND AXLE)

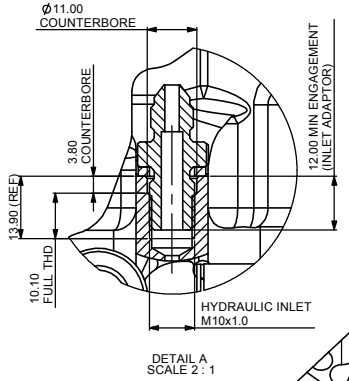
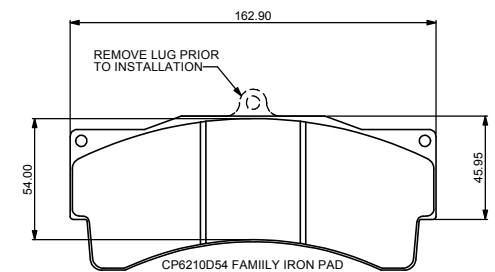
NOTE: CALIPERS CAN BE USED IN A LEADING (IN FRONT OF AXLE) POSITION BY SWAPPING THE INLET ADAPTOR AND BLEED SCREW OVER.

"P" SUFFIX DENOTES CALIPER WITH 'CLIP-IN' TYPE PISTONS FOR ADDITION OF 'CLIP-IN' PISTON CAPS SEE CP6060-1PCD DRAWING.

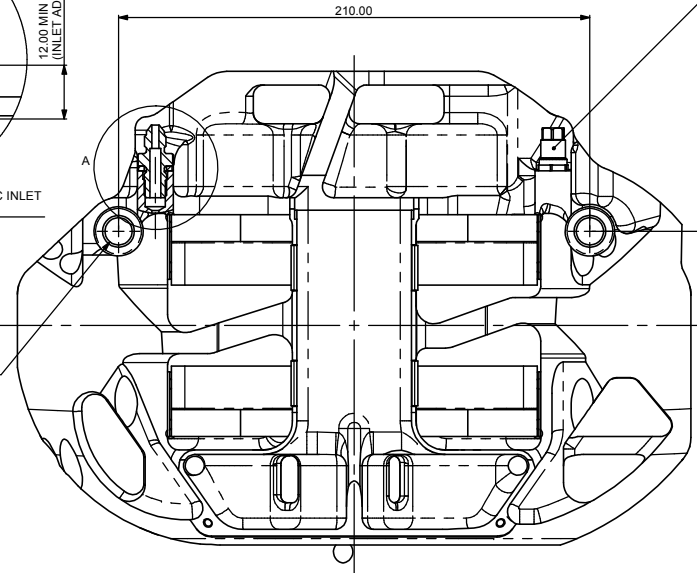
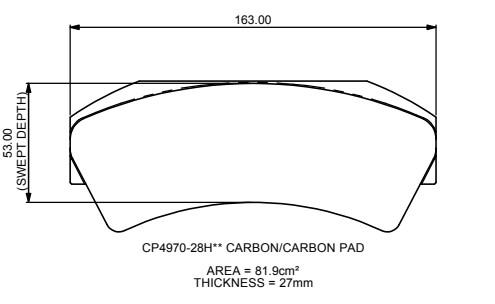
OPTIONAL CALIPER BODY THERMO SENSOR (PT100 TYPE) AVAILABLE:
- CP6282-2 (RH)
- CP6282-3 (LH)

Alterations

Date & No.	Particulars	Zone	Initials
31/01/08 B4960	FIRST ISSUE		JH
05/02/08 B4960.12	INLET ADAPTOR ADDED LEADING PART NUMBERS REMOVED, MIN WORN STACK NOTE ADDED		JH
21/02/08 B4960	BLEED SCREW REPLACED WITH DRY BREAK FITTING		JH
26/02/08 B4960	RADIAL PROFILE UPDATED		JH
19/08/08 B5299	Ø355 RADIAL PROFILE ADDED		SAT
10/02/09 B4960	CP4970-28 WAS CP4970-30, 95.6 CARBON STACK ADDED	B3 M15	JH



TYPICAL MTG TIGHTENING TORQUE FOR GUIDANCE ONLY:
M12 - 65Nm & M10 - 54Nm



DRY BREAK FITTING
TIGHTENING TORQUE 13Nm
DRY BREAK TO BE USED IN CONJUNCTION WITH CP6300-7 BLEED SYSTEM FITTING FOR FURTHER DRY BREAK INFORMATION & SPARES REFER TO CP6300-13CD INSTALLATION DRAWING.

NOTE: DRY BREAK AND INLET ADAPTOR MUST BE SWAPPED OVER IF THE CALIPER IS BEING USED IN A LEADING (IN FRONT OF THE AXLE) POSITION.

WHEN RUNNING CP6210 IRON PADS THE PAD SUPPORTS MUST BE TURNED AROUND. THE LETTERS 'I' ON THE PAD SUPPORTS MUST FACE EACH OTHER AS SHOWN. APR RECOMMEND THE USE OF A THREADLOCKER (LOCTITE 243 OR SIMILAR) ON THE PAD SUPPORT RETAINING SCREWS.

CARBON SET-UP = LETTERS 'C' FACE EACH OTHER
IRON SET-UP = LETTERS 'I' FACE EACH OTHER

SCALE 1:1 SHEET 1 OF 3

DRAWN heritage

APPROVED

DERIVED FROM

TITLE
6-POT GT RADICAL (SMALL BORE)

DRG NO. CP6161-1CD

