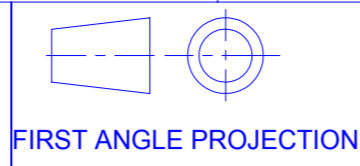


A2 INSTALLATION DRAWING

If this document is printed in hardcopy, it is for information use only and therefore is not subject to updating controls. Always refer to viewer for latest issue.



THIS DRAWING IS CONFIDENTIAL AND IS SUPPLIED ON THE EXPRESS CONDITION THAT IT SHALL NOT BE LOANED OR COPIED OR DISCLOSED TO ANY OTHER PERSON OR USED FOR ANY OTHER PURPOSE WITHOUT THE WRITTEN CONSENT OF AP RACING LTD.

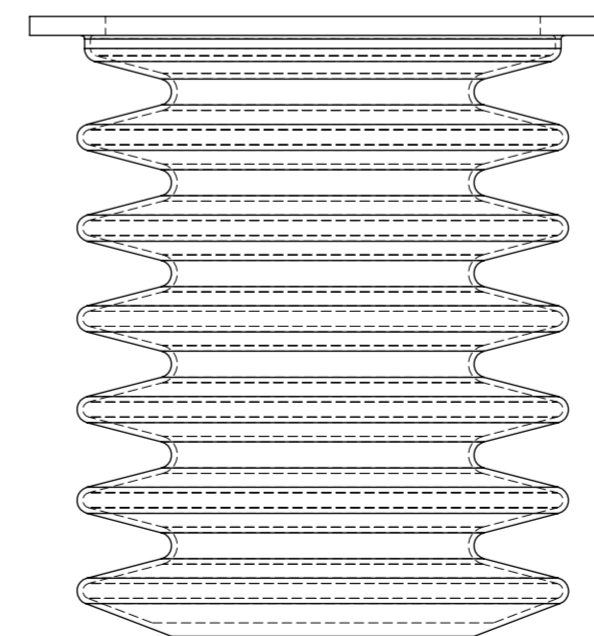
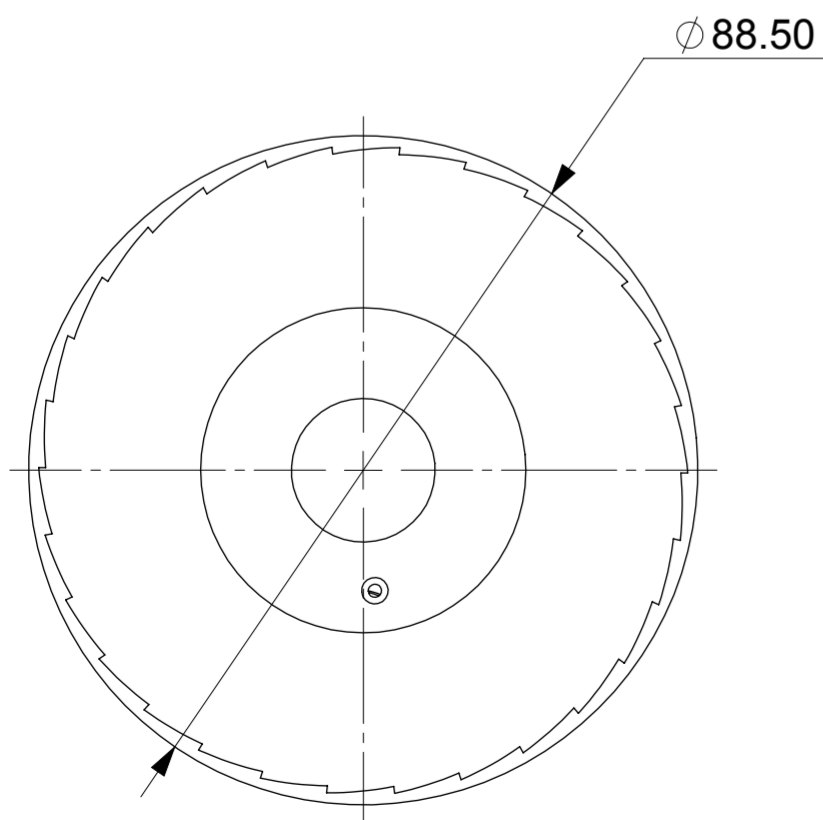
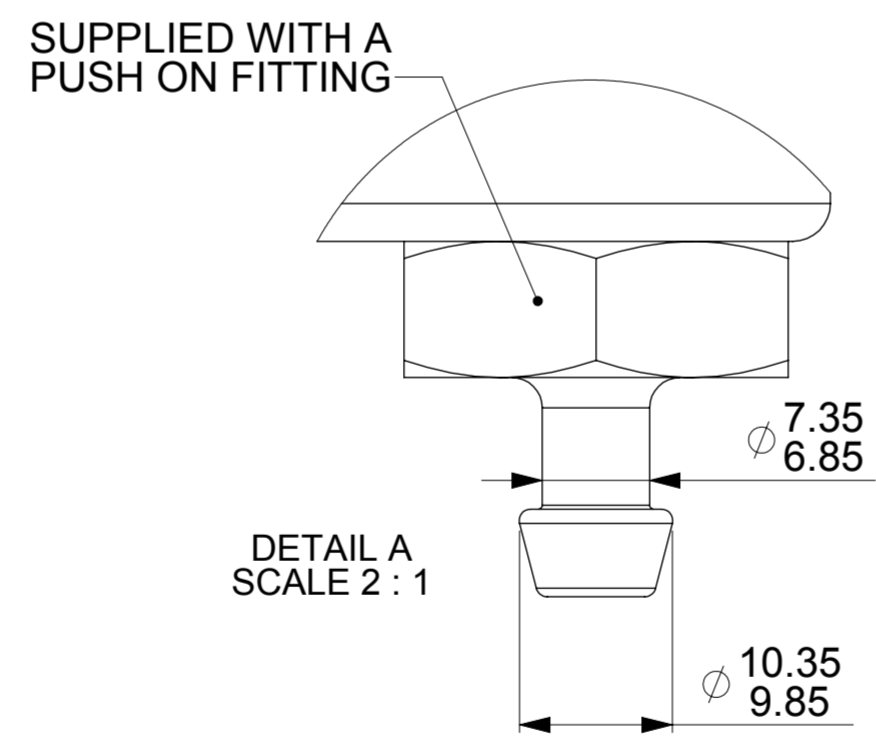
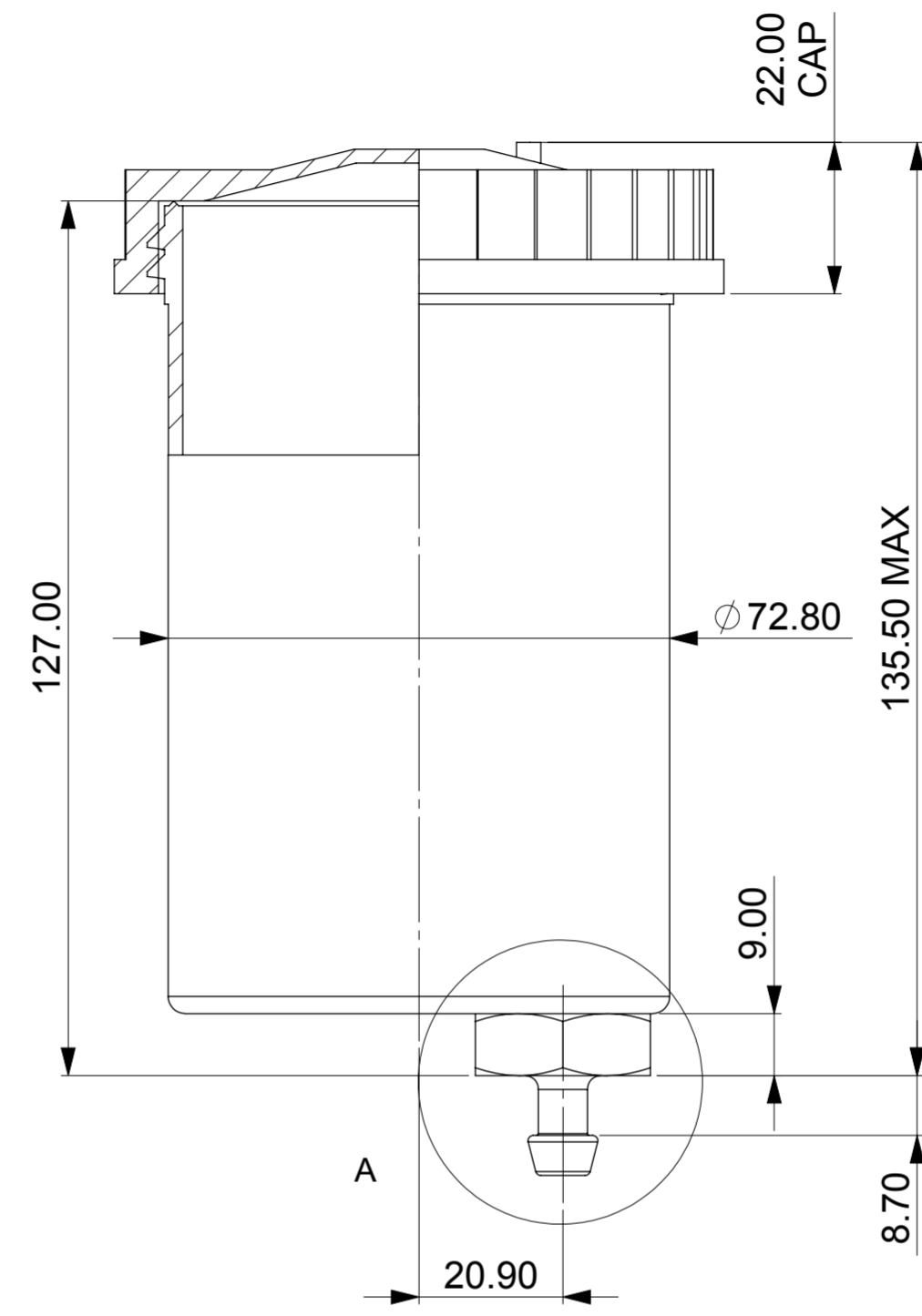
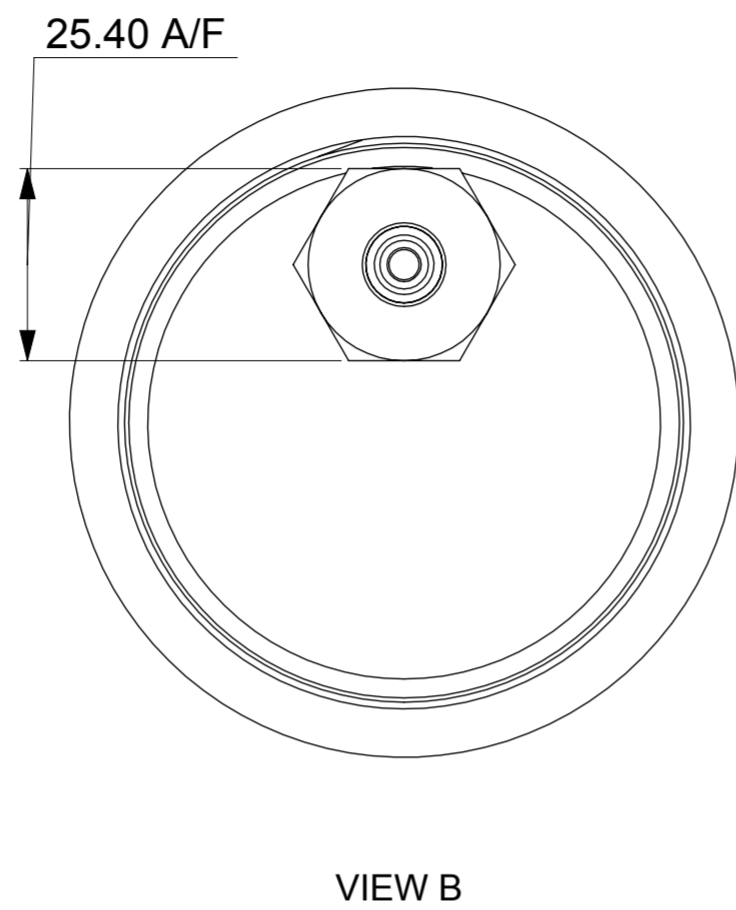
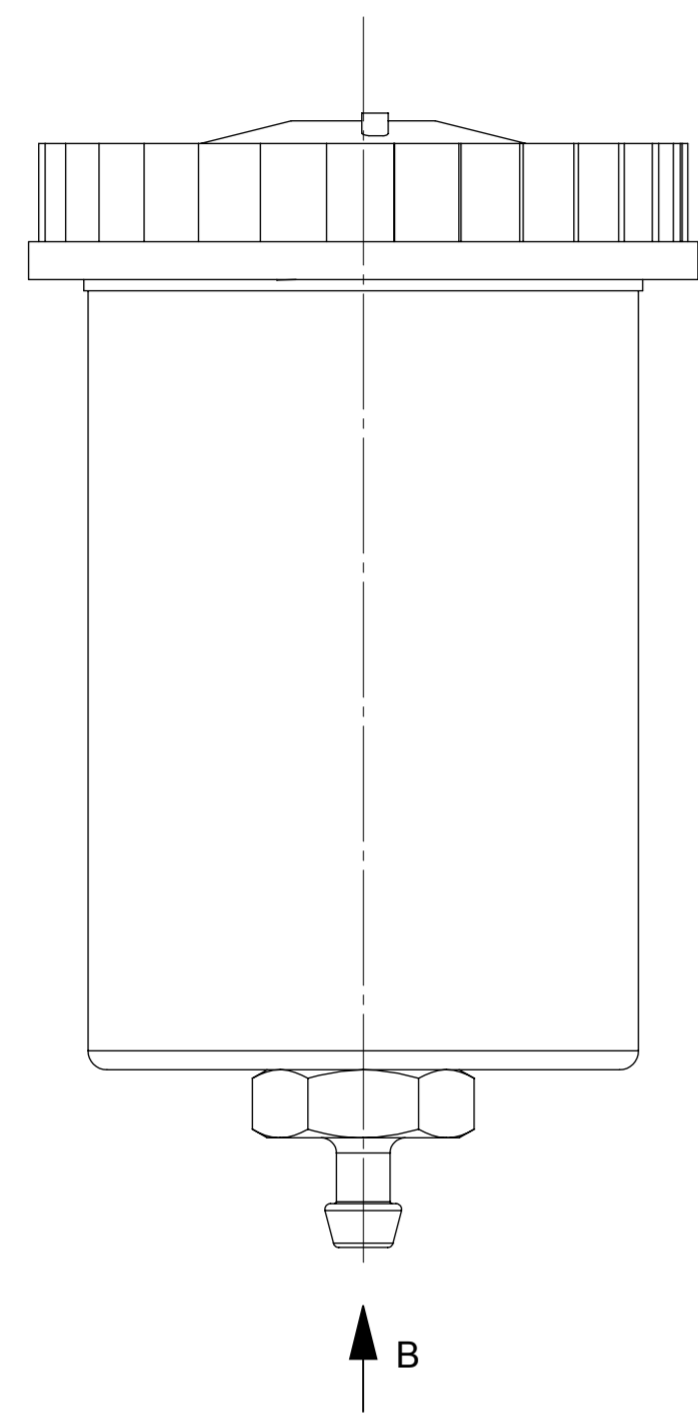


AP Racing
Wheler Road
Coventry
CV3 4LB

Tel: +44 024 7663 9595
Fax: +44 024 7663 9559
e-mail: sales@ap racing.co.uk
Web site: http://www.ap racing.com

© AP Racing Ltd. 2018

| Issue No. | Date & No. | Alterations | | Zone | Initials |
|-----------|----------------------|-------------|--|------|----------|
| | | Particulars | | | |
| 1 | 13/08/18 RAC22282 | FIRST ISSUE | | # | JES |



THE RESERVOIR IS FITTED WITH A CP2293-173 BELLOWS
CP2293-173 BELLOWS CAN BE BOUGHT SEPERATELY

CP2293-173 BELLOWS

| PART NUMBER | BELLOWS | VOLUME | FITTING POSITION |
|-------------|---------|-------------------------------|------------------|
| CP2293-176 | YES | 340CC (20.7 IN ³) | OFFSET |

SCALE 1:1 SHEET 1 OF 1

DRAWN JAMES SLAUGHTER

APPROVED

DERIVED FROM

TITLE
RESERVOIR ASSEMBLY
PUSH ON FITTING

DRG NO. CP2293-176CD