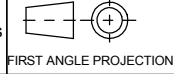


A2 INSTALLATION DRAWING

If this document is printed in hardcopy, it is for information use only and therefore is not subject to updating controls. Always refer to viewer for latest issue.



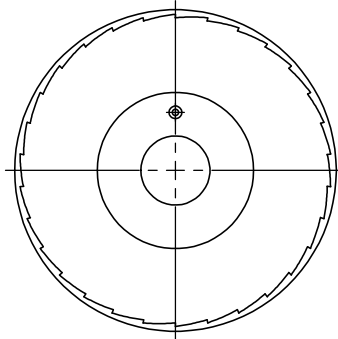
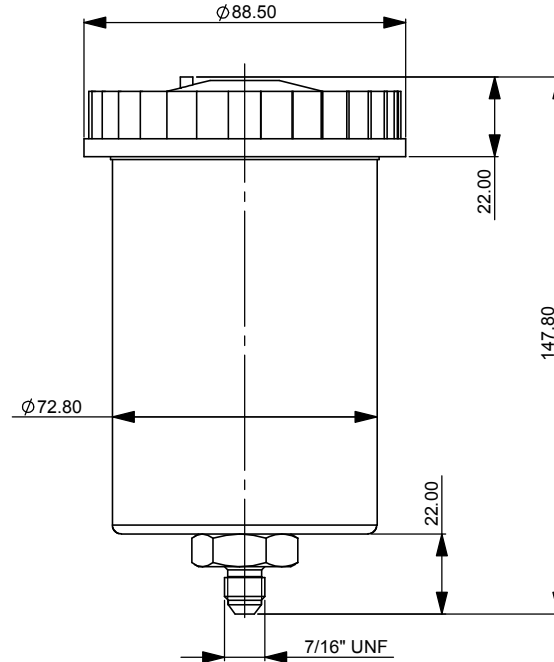
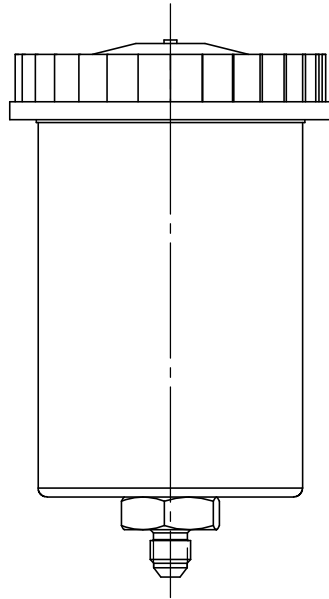
THIS DRAWING IS CONFIDENTIAL AND IS SUPPLIED ON THE EXPRESS CONDITION THAT IT SHALL NOT BE LOANED OR COPIED OR DISCLOSED TO ANY OTHER PERSON OR USED FOR ANY OTHER PURPOSE WITHOUT THE WRITTEN CONSENT OF AP RACING LTD.



AP Racing
Wheler Road
Coventry
CV3 4LB

Tel: +44 024 7663 9595
Fax: +44 024 7663 9559
e-mail: sales@ap racing.co.uk
Web site: http://www.ap racing.com

© AP Racing Ltd. 2005



| PART NUMBER | DIAPHRAGM | VOLUME CC (Cu IN) | FITTING |
|-------------|-----------|-------------------|-----------|
| CP2293-163 | YES | 340 (20.7) | 7/16" UNF |

| Issue No. | Date & No. | Alterations | | Zone | Initials |
|-----------|-------------------|--|--|------|----------|
| | | Particulars | | | |
| 1 | 2/3/99 B2314 | FIRST ISSUE | | DAE | |
| 2 | 16/12/03 | PART No. IN TABLE READ CP2293-162 NOW -163 | | 7B | RLB |
| 3 | 17/03/08 B5139 | FITTING DETAIL CHANGED CONE SHAPED FITTING WAS SHOWN AS SHORTER SQUARE END FITTING | | | SAT |

SCALE 1:1 SHEET 1 OF 1

DRAWN
APPROVED
DERIVED FROM

TITLE
RESERVOIR ASSEMBLY

DRG NO. CP2293-163CD