

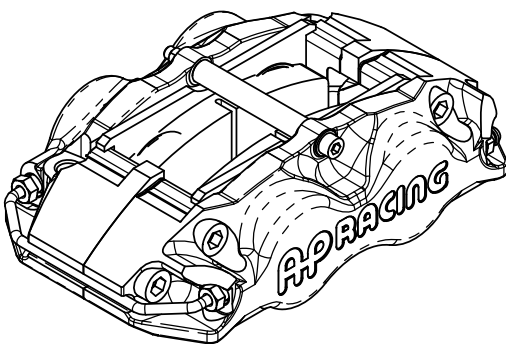
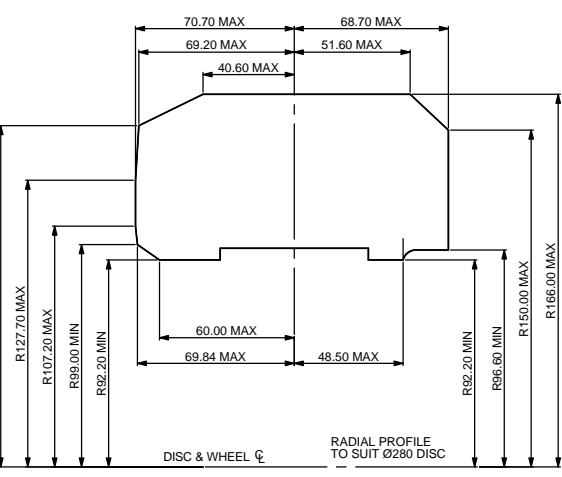
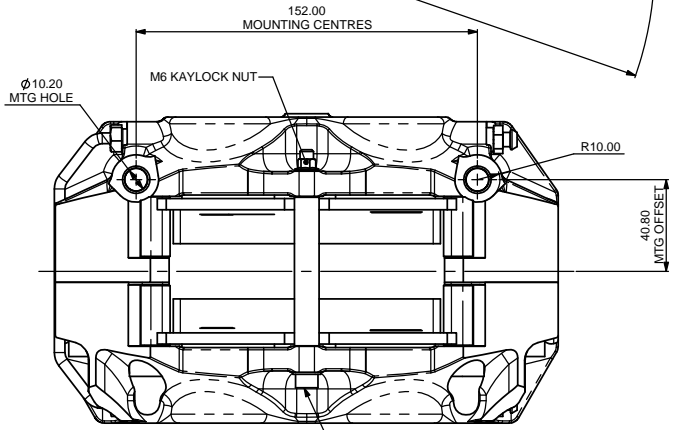
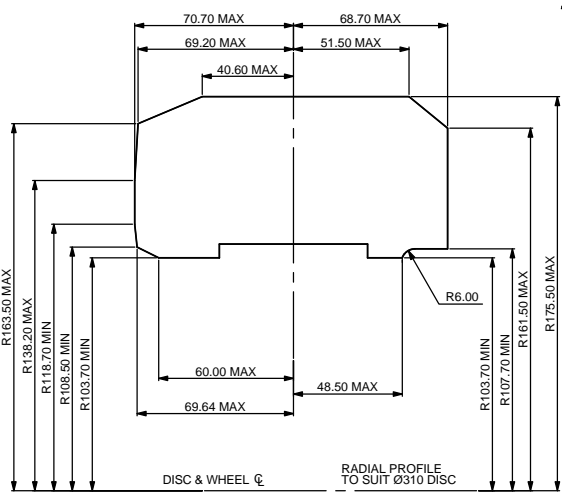
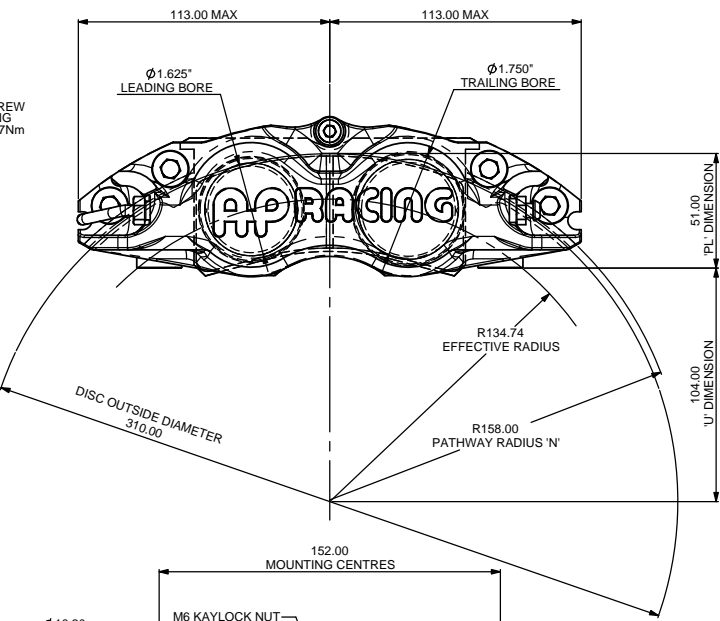
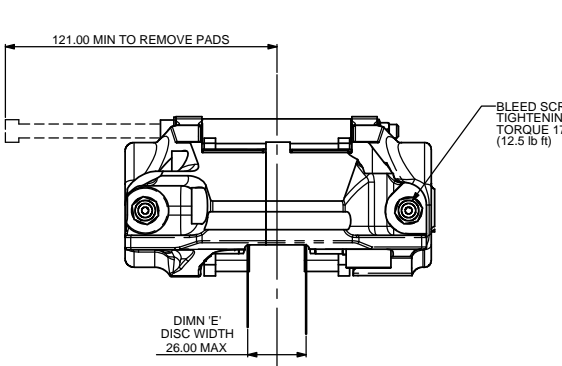
# B1 INSTALLATION DRAWING

IF THIS DOCUMENT IS PRINTED IN HARD COPY, IT IS FOR INFORMATION USE ONLY AND THEREFORE IS NOT SUBJECT TO UPDATING CONTROLS. ALWAYS REFER TO SOLIDWORKS VIEWER FOR LATEST ISSUE

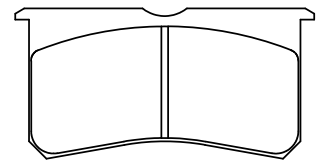


THIS DRAWING IS CONFIDENTIAL AND IS SUPPLIED ON THE EXPRESS CONDITION THAT IT SHALL NOT BE LOANED OR COPIED OR DISCLOSED TO ANY OTHER PERSON OR USED FOR ANY OTHER PURPOSE WITHOUT THE WRITTEN CONSENT OF AP RACING LTD.

AP Racing Ltd. 2005  
 AP Racing  
 Wheler Road  
 Coventry  
 CV3 4LB  
 Tel: +44 024 7663 9595  
 Fax: +44 024 7663 9559  
 e-mail: sales@apracings.co.uk  
 Web site: HTTP://www.apracings.com



PAD INFORMATION  
 CP8250D41-####



PAD THICKNESS - 20.20mm (0.795")  
 PAD AREA - 50.67cm² (7.854 in²)  
 PAD VOLUME - 102.35cm³ (6.244 in³)

### GENERAL DESCRIPTION

THIS IS A LOW COST 4 PISTON DIFFERENTIAL BORE CALIPER, DESIGNED TO OPERATE ON A VENTILATED IRON DISC OF Ø285.0 mm TO Ø310.0 mm, 26.0 MAX WIDE DISC. ALL CALIPERS ARE MANUFACTURED WITH BLEED SCREW AND PIPE ASSEMBLY PROTECTION. STAINLESS STEEL PAD ABUTMENT WEAR PLATES AND HIGH TEMPERATURE LOW DRAG SEALS ARE FITTED AS STANDARD. SEALS ARE 'SEAL IN BORE' TYPE.

### TYPICAL APPLICATION

BUDGET RALLY CALIPER.

### TECHNICAL INFORMATION

TOTAL PISTON AREA - 66.67cm²  
 PISTON MATERIAL - STAINLESS STEEL (STANDARD)  
 BODY MATERIAL - ALUMINIUM ALLOY  
 HYDRAULIC CONNECTIONS - M10x1.00

NOTES - SHOULD THE PISTON BE INADVERTENTLY REMOVED, THEY SHOULD BE WIPED CLEAN AND BE SMEARED WITH AP RACING BRAKE FLUID BEFORE REPLACEMENT.

### IMPORTANT INFORMATION

DISC AND CALIPER MOUNTING TOLERANCES TO BE SUCH THAT THE DISC IS CENTRAL TO THE CALIPER TO WITHIN ±0.019" (0.50mm). THE CLEARANCE FROM DISC DIAMETER TO PATHWAY SHOULD BE 0.098" (2.5mm) NOM.

### KEY TO DIMENSIONS

- DIMENSION 'PL' - TOP OF PAD MATERIAL TO MOUNTING BOSS FACE WITH PAD HANGING DOWN FROM THE TOP OF THE WEAR PLATES.
- DIMENSION 'C' - DISC CENTRE LINE TO MOUNTING STUD CENTRE LINE.
- DIMENSION 'U' - WHEEL CENTRE TO CALIPER MOUNTING BOSS FACE, (DISC DIAMETER / 2) - 'PL' DIMENSION.
- DIMENSION 'H' - MOUNTING HOLE DIAMETER.
- RADIUS 'N' - RADIUS OF DISC PATHWAY.
- EFFECTIVE RAD. - DISTANCE FROM WHEEL CENTRE LINE TO NOMINAL PISTON CENTRE LINE.

**AP RACING TECHNICAL SECTION WILL BE PLEASED TO ADVISE ON THE MOST SUITABLE EQUIPMENT FOR ANY APPLICATION.**

### REPLACEMENT SEAL KIT

SEAL KIT (HIGH TEMP) CP4518-KL

- PART NUMBERS:  
 CP8352-2S0L RIGHT HAND TRAILING (AS SHOWN)  
 CP8352-3S0L LEFT HAND TRAILING  
 CP8352-4S0L RIGHT HAND LEADING  
 CP8352-5S0L LEFT HAND LEADING

Rev No	Alterations		
	Date & No.	Particulars	Zone / Initials
1	24/09/2010 B6035	FIRST ISSUE	CDA
2	24/11/11 B6362	PISTONS CHANGED FOR THIN WALL SST VERSION TO ALLOW AKB SPRINGS TO BE FITTED	SAT
3	02/10/12 B6624	TIGHTENING TORQUE FOR PAD RETAINER BOLTS 11.5Nm WAS 14.9Nm COPPER SLIP NOTE ADDED	SAT

SCALE 1:1 SHEET 1 OF 2

DRAWN Chris Arowsmith

APPROVED

DERIVED FROM

TITLE  
 4 POT, 152.0 x 40.8 RADIAL MTG CALIPER ASSEMBLY

DRG NO. CP8352-1CD

# B1 INSTALLATION DRAWING

IF THIS DOCUMENT IS PRINTED IN HARDCOPY, IT IS FOR INFORMATION USE ONLY AND THEREFORE IS NOT SUBJECT TO UPDATING CONTROLS. ALWAYS REFER TO SOLIDWORKS VIEWER FOR LATEST ISSUE



THIS DRAWING IS CONFIDENTIAL AND IS SUPPLIED ON THE EXPRESS CONDITION THAT IT SHALL NOT BE LOANED OR COPIED OR DISCLOSED TO ANY OTHER PERSON OR USED FOR ANY OTHER PURPOSE WITHOUT THE WRITTEN CONSENT OF AP RACING LTD.

**AP RACING**  
 AP Racing  
 Wheler Road  
 Coventry  
 CV3 4LB  
 Tel: +44 024 7663 9595  
 Fax: +44 024 7663 9559  
 e-mail: sales@apracings.co.uk  
 Web site: HTTP://www.apracings.com

SPARE PARTS LIST			
REF	QTY / CALIPER	PART No.	DESCRIPTION
1	1	CP3423-107	M6 NUT
2	2	CP8352-106	1.750" PISTON
3	1	CP3880-1	BLEEDSCREW & ORING KIT
4	1	CP4518-KL	HIGH TEMP SEAL KIT
5	2	CP8350-119	1.625" PISTON
6	1	CP3439-111	M6 BOLT
7	1	CP8350-6	PIPE ASSEMBLY
8	2	CP8250-108	RH WEAR PLATE
	2	CP8250-109	LH WEAR PLATE
9	1	CP8350-108	PAD RETAINER
10	4	CP2667-105	4lb AKB SPRING

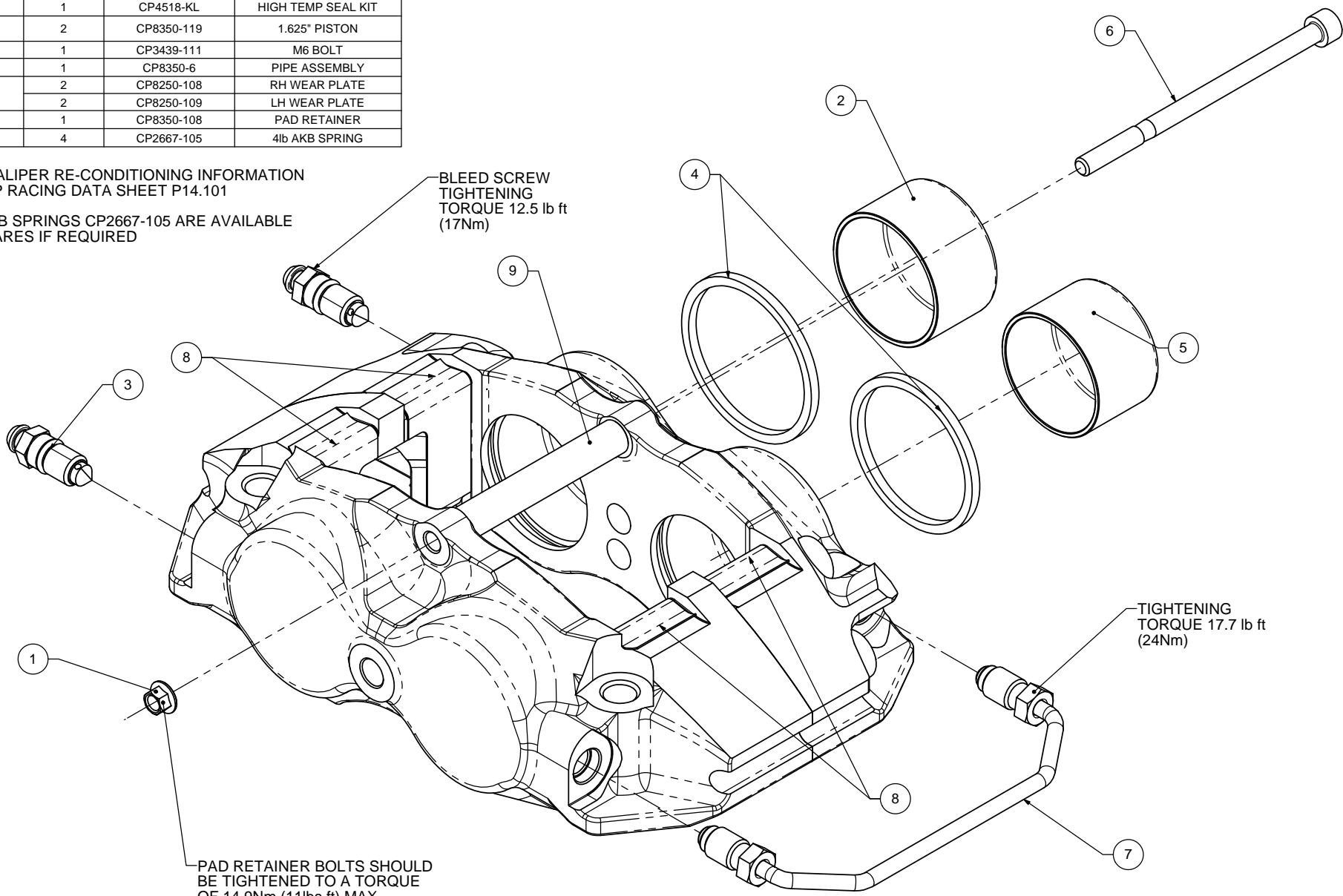
FOR CALIPER RE-CONDITIONING INFORMATION SEE AP RACING DATA SHEET P14.101

4lb AKB SPRINGS CP2667-105 ARE AVAILABLE AS SPARES IF REQUIRED

BLEED SCREW TIGHTENING TORQUE 12.5 lb ft (17Nm)

TIGHTENING TORQUE 17.7 lb ft (24Nm)

PAD RETAINER BOLTS SHOULD BE TIGHTENED TO A TORQUE OF 14,9Nm (11lbs ft) MAX



Issue No.	Alterations		
	Date & No.	Particulars	Zone / Initials
-	-	SEE SHEET 1 FOR ISSUE INFORMATION.	-

SCALE 2:1	SHEET 2 OF 2
DRAWN	Chris Arrowsmith
APPROVED	
DERIVED FROM	
TITLE	
4 POT, 152.0 x 40.8 RADIAL MTG CALIPER ASSEMBLY	
DRG NO.	CP8352-1CD