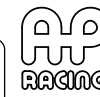


B1 INSTALLATION DRAWING

IF THIS DOCUMENT IS PRINTED IN HARDCOPY, IT IS FOR INFORMATION USE ONLY AND THEREFORE IS NOT SUBJECT TO UPDATING CONTROLS. ALWAYS REFER TO SOLIDWORKS VIEWER FOR LATEST ISSUE

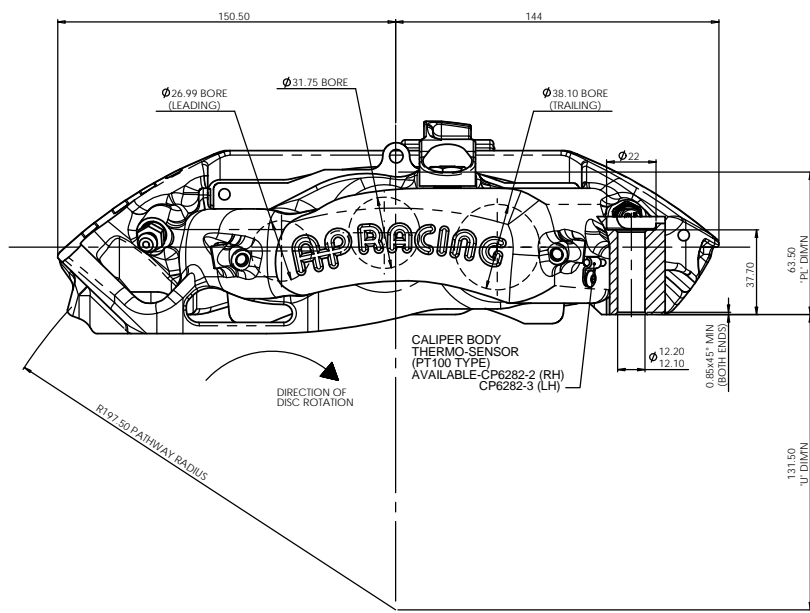
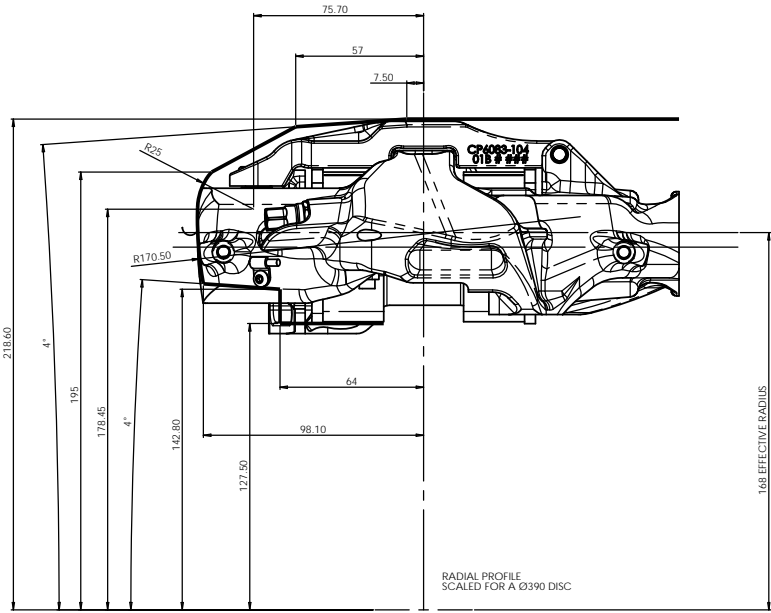


THIS DRAWING IS CONFIDENTIAL AND IS SUPPLIED ON THE EXPRESS CONDITION THAT IT SHALL NOT BE LOANED OR COPIED OR DISCLOSED TO ANY OTHER PERSON OR USED FOR ANY OTHER PURPOSE WITHOUT THE WRITTEN CONSENT OF AP RACING LTD.



AP Racing
Wheler Road
Coventry
CV3 4LB
Tel: +44 024 7663 9595
Fax: +44 024 7663 9559
e-mail: sales@apracing.co.uk
Web site: HTTP://www.apracing.com

Issue No.	Alterations			Zone	Initials
	Date & No.	Particulars			
1	22/03/12 B6240	FIRST ISSUE			JH
2	01/06/12 B6240	PAD SUPPORT CHANGED; CP6162-100 WAS CP6365-111			JH
3	08/04/13 B6720	CALIPER CHANGED TO SUIT MAX DISC OF 6390 WAS 6378			JH
4	15/05/14 B7102	STAINLESS STEEL PISTON OPTION ADDED		SE	SAT



GENERAL DESCRIPTION
6 PISTON DIFFERENTIAL BORE CALIPER TO SUIT UP TO Ø390 x 35.6MM DISC
STANDARD SPECIFICATION CALIPER TO SUIT UP TO 32MM THICK PADS.

TYPICAL APPLICATION - GT ENDURANCE

TECHNICAL INFORMATION & INSTALLATION DATA
TOTAL PISTON AREA (6) - 50.1cm²
PISTON MATERIAL - TITANIUM or STAINLESS STEEL
BODY MATERIAL - ALUMINIUM ALLOY

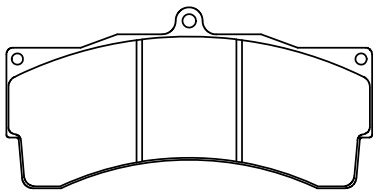
ASSEMBLY WEIGHT LESS PADS:
• TITANIUM PISTONS - 2.42KG
• STAINLESS STEEL PISTONS - 2.61KG

MINIMUM WORN STACK HEIGHT - 49MM (31MM THICK DISC / 9MM THICK PADS)

DISC & CALIPER MOUNTING TOLERANCES TO BE SUCH THAT THE DISC IS CENTRAL TO THE CALIPER TO WITHIN ±0.5mm.
CALIPER TO BE MOUNTED WITHIN ±15° FROM VERTICAL.
DISC DIAMETRAL CLEARANCE SHOULD BE 2.5mm NOM. FROM DISC O.D. TO PATHWAY.

KEY TO DIMENSIONS
P.L. TOP OF PAD MATERIAL TO MOUNTING BOSS FACE WITH PAD SITTING DOWN ON LEDGE.
U. WHEEL CENTRE LINE TO CALIPER MOUNTING BOSS FACE (DISC Ø/2)-DIMENSION P.L.

CALIPER PART NUMBERS
CP6083-2S7M - RIGHT HAND, TITANIUM PISTONS
CP6083-3S7M - LEFT HAND, TITANIUM PISTONS
CP6083-2S7L - RIGHT HAND, STAINLESS STEEL PISTONS
CP6083-3S7L - LEFT HAND, STAINLESS STEEL PISTONS



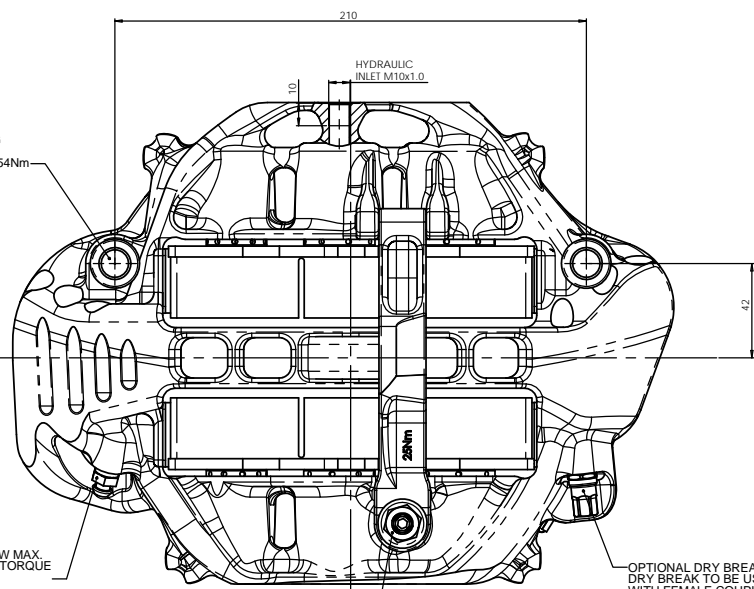
CP6210D54 FAMILY IRON PAD

PAD AREA
- SLOTTED = 81cm²
- FULL AREA = 83cm²

THICKNESS
- STANDARD = 30mm
- SPECIAL = 32mm

TYPICAL MTG TIGHTENING TORQUE, FOR GUIDANCE ONLY: M12 - 65Nm & M10 - 54Nm

BLEED SCREW MAX. TIGHTENING TORQUE
17Nm



OPTIONAL DRY BREAK FITTING CP6300-21
DRY BREAK TO BE USED IN CONJUNCTION WITH FEMALE COUPLING. FOR FURTHER DRY BREAK INFORMATION & SPARES REFER TO CP6300-13CD INSTALLATION DRAWING. APPLY LOCTITE 270 TO THREAD UPON ASSEMBLY. TIGHTENING TORQUE 13Nm.

SCALE 1:1	SHEET 1 OF 2
DRAWN <i>jheritage</i>	
APPROVED	
DERIVED FROM	
TITLE 6-POT ENDURANCE CALIPER	
DRG NO.	CP6083-1CD

